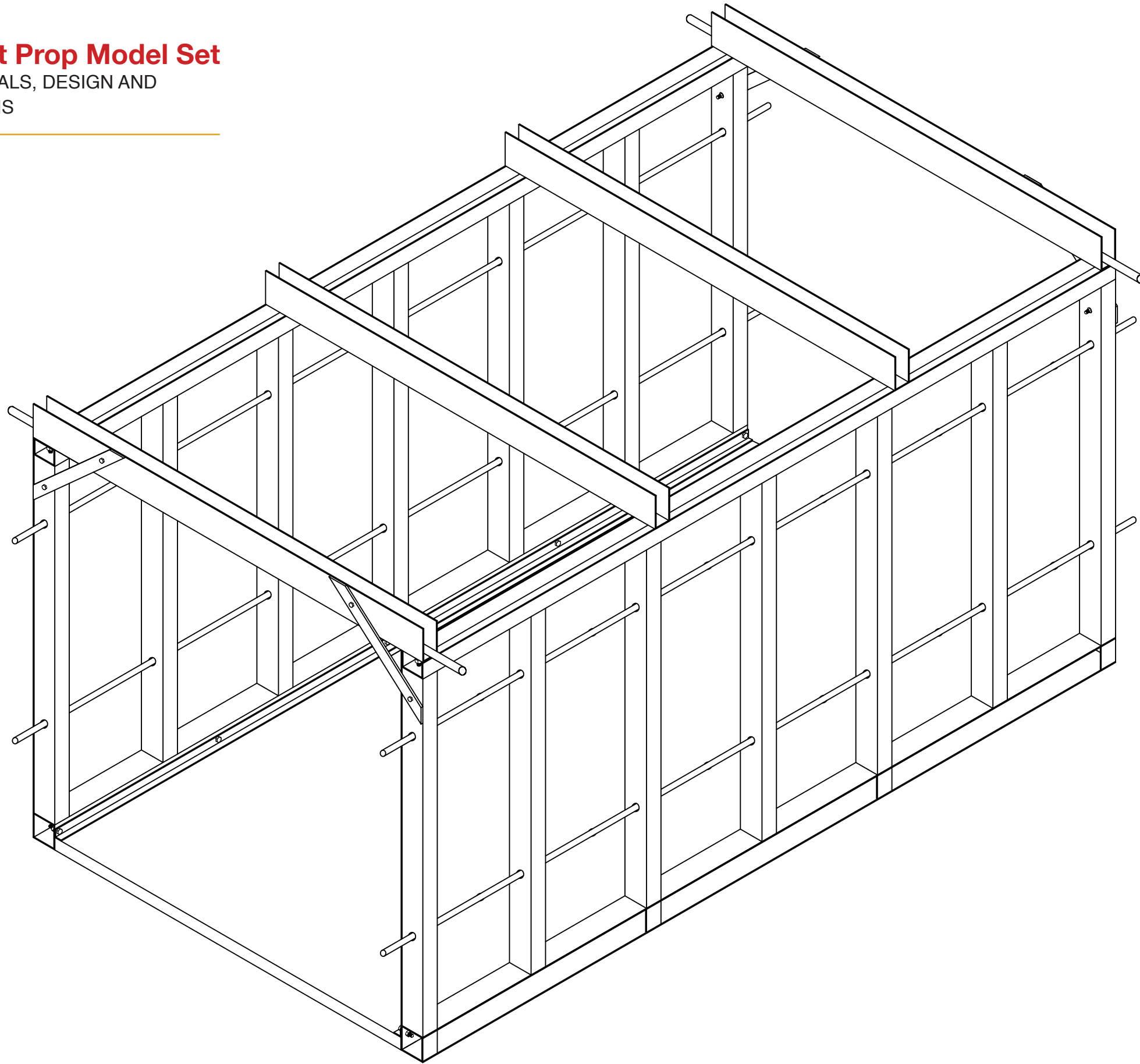




Disentanglement Prop Model Set

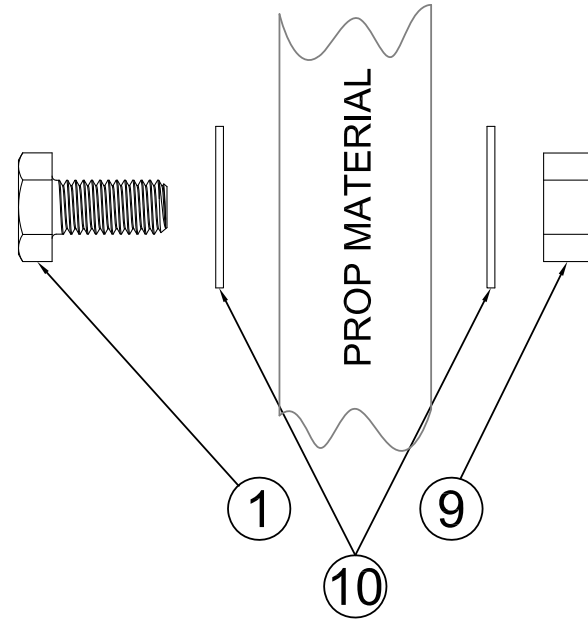
IAFF FGS PROP MATERIALS, DESIGN AND
BUILDING INSTRUCTIONS



DISENTANGLEMENT PROP

22 MAR 2012

BOLT DETAIL



DISENTANGLEMENT PROP

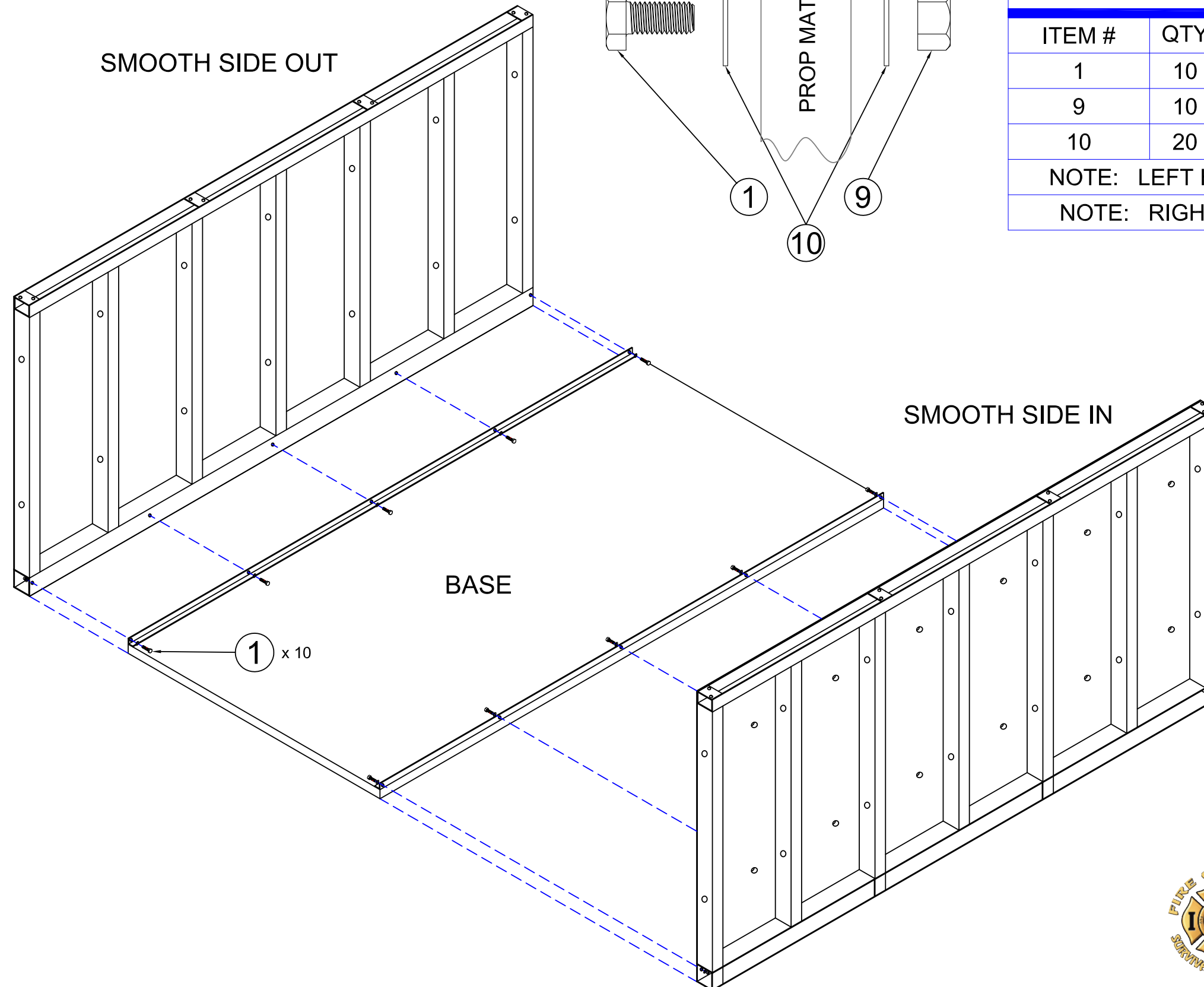
STEP 1

CONNECT THE SIDE WALLS TO THE PROP BASE PLATFORM USING THE BELOW LISTED HARDWARE

ITEM #	QTY	DESCRIPTION
1	10	1" x 3/8" x 16 HEX BOLT
9	10	3/8" x 16 HEX NUT
10	20	3/8" x 7/8" FLAT WASHER

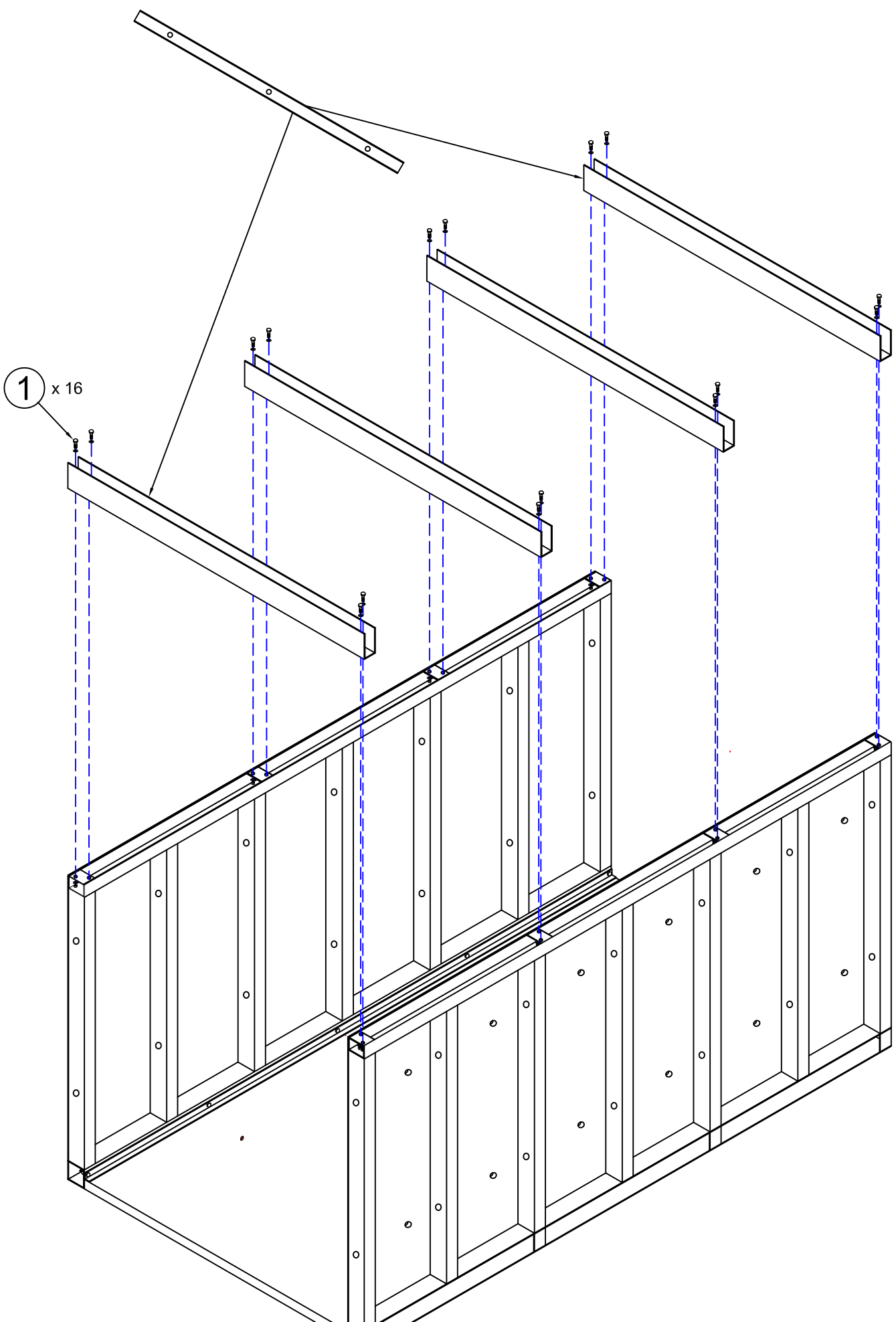
NOTE: LEFT HAND WALL - SMOOTH SIDE OUT
NOTE: RIGHT HAND WALL - SMOOTH SIDE IN

22 MAR 2012

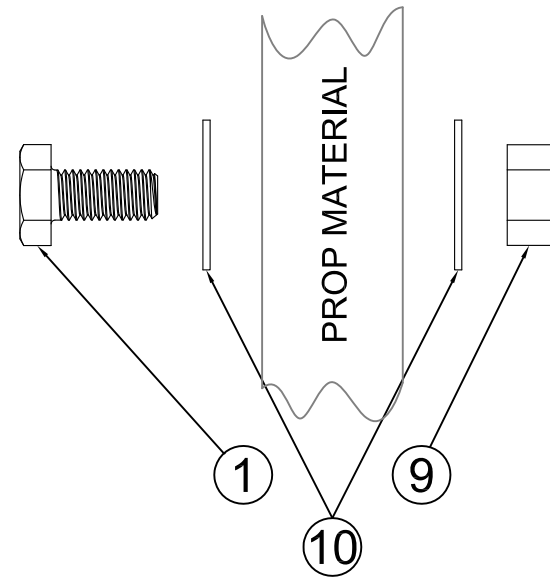


Disentanglement Prop Model Set

IAFF FGS PROP MATERIALS, DESIGN AND BUILDING INSTRUCTIONS



BOLT DETAIL



DISENTANGLEMENT PROP

STEP 2

CONNECT THE UPPER CROSS SUPPORT
BRACES TO THE SIDE WALLS
USING THE BELOW LISTED HARDWARE

ITEM #	QTY	DESCRIPTION
1	16	1" x 3/8" x 16 HEX BOLT
9	16	3/8" x 16 HEX NUT
10	32	3/8" x 7/8" FLAT WASHER
NOTE:	DO NOT TIGHTEN UPPER CROSS SUPPORT BRACE BOLTS UNTIL UPPER DIAGONAL BRACES INSTALLED - SEE STEP 3	
NOTE:	THE TWO END UPPER CROSS SUPPORT BRACES HAVE THREE (3) HOLES ON THE BOTTOM FACE OF THE CHANNEL	

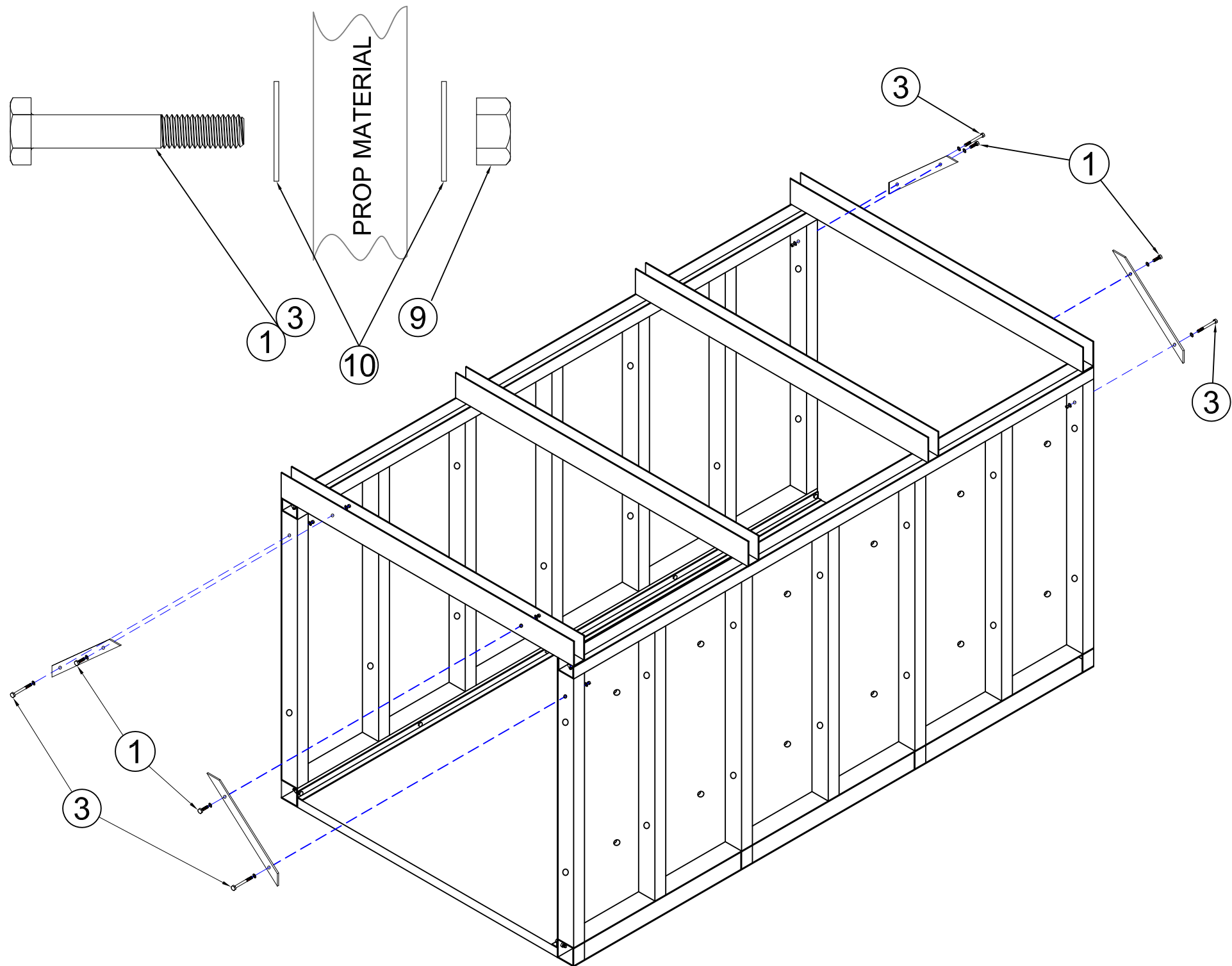
22 MAR 2012



Disentanglement Prop Model Set

IAFF FGS PROP MATERIALS, DESIGN AND BUILDING INSTRUCTIONS

BOLT DETAIL



DISENTANGLEMENT PROP

STEP 3

CONNECT THE UPPER DIAGONAL BRACES
TO THE SIDE WALLS AND UPPER CROSS SUPPORTS
USING THE BELOW LISTED HARDWARE

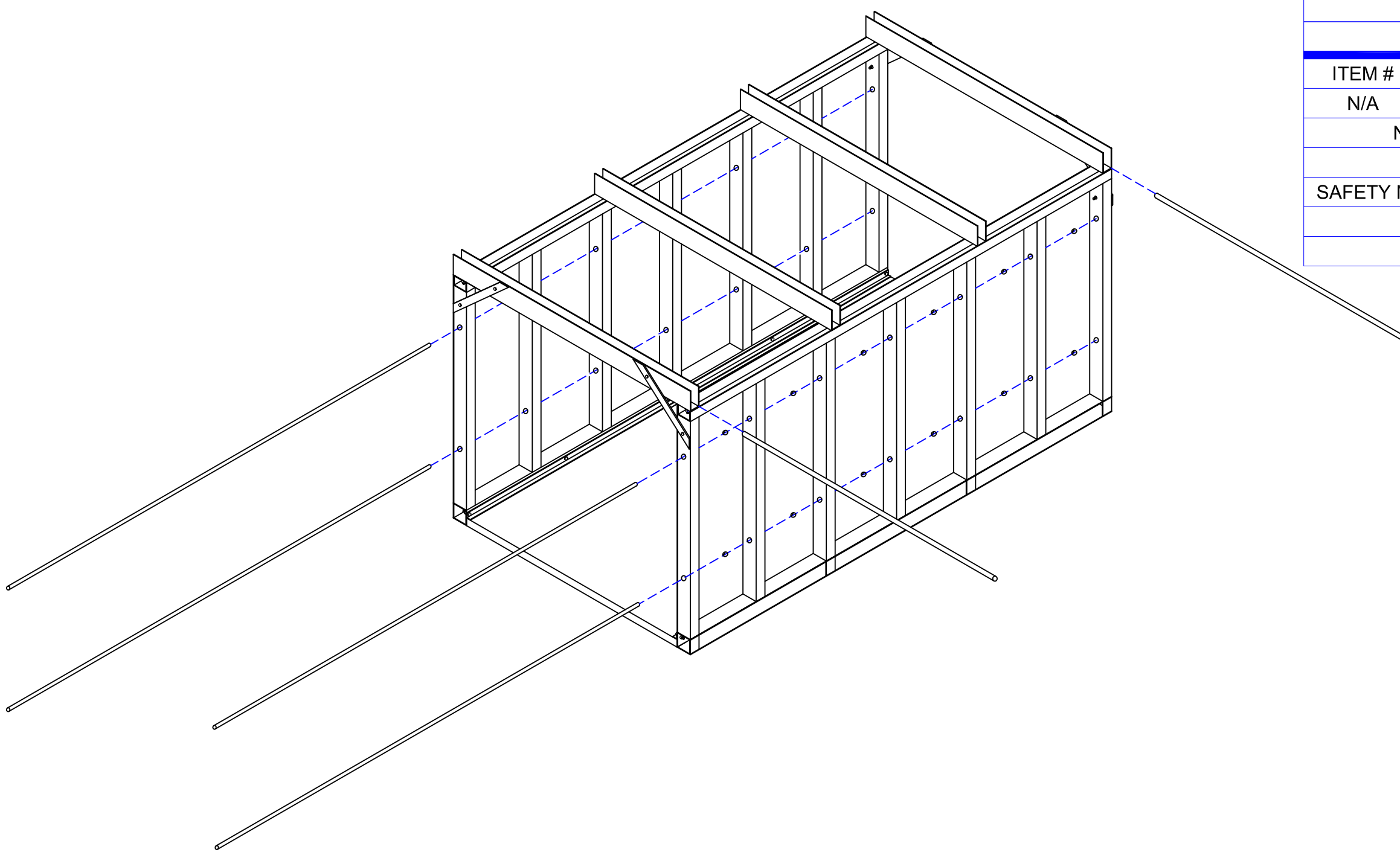
ITEM #	QTY	DESCRIPTION
1	4	1" x 3/8" x 16 HEX BOLT (top)
3	4	3" x 3/8" x 16 HEX BOLT (lower)
9	8	3/8" x 16 HEX NUT
10	16	3/8" x 7/8" FLAT WASHER

NOTES:

22 MAR 2012



Disentanglement Prop Model Set
IAFF FGS PROP MATERIALS, DESIGN AND
BUILDING INSTRUCTIONS



DISENTANGLEMENT PROP

STEP 4

INSERT EMERGENCY WIRE RELEASE RODS

ITEM #	QTY	DESCRIPTION
N/A	0	N/A
NOTE:		ATTACH WIRES TO RODS FOR EMERGENCY RELEASE
SAFETY NOTE:		ENSURE THAT ALL WIRES ATTACHED TO RODS ALL EASILY DISCONNECT WHEN RODS ARE REMOVED

22 MAR 2012



Disentanglement Prop Model Set
IAFF FGS PROP MATERIALS, DESIGN AND BUILDING INSTRUCTIONS

Technical Training Props, Inc.

For ordering estimates, or inquiries, please email us at:
info@technicaltrainingprops.com



Disentanglement Prop Model Set

IAFF FGS PROP MATERIALS, DESIGN AND
BUILDING INSTRUCTIONS
