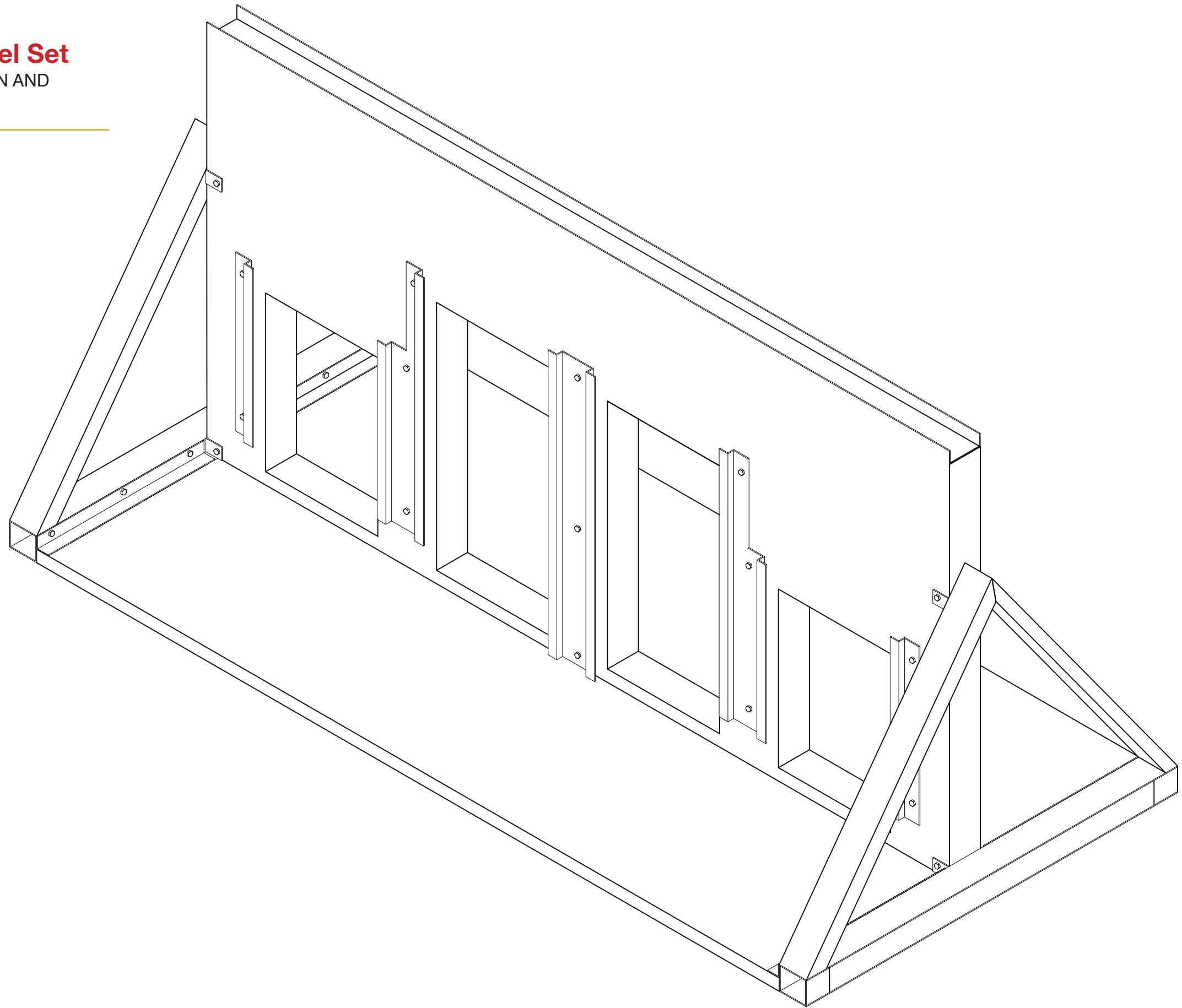




Low Reduced Prop Model Set
IAFF FGS PROP MATERIALS, DESIGN AND
BUILDING INSTRUCTIONS



LOW REDUCED PROFILE PROP

22 MAR 2012

LOW / REDUCED PROFILE PROP

STEP 1

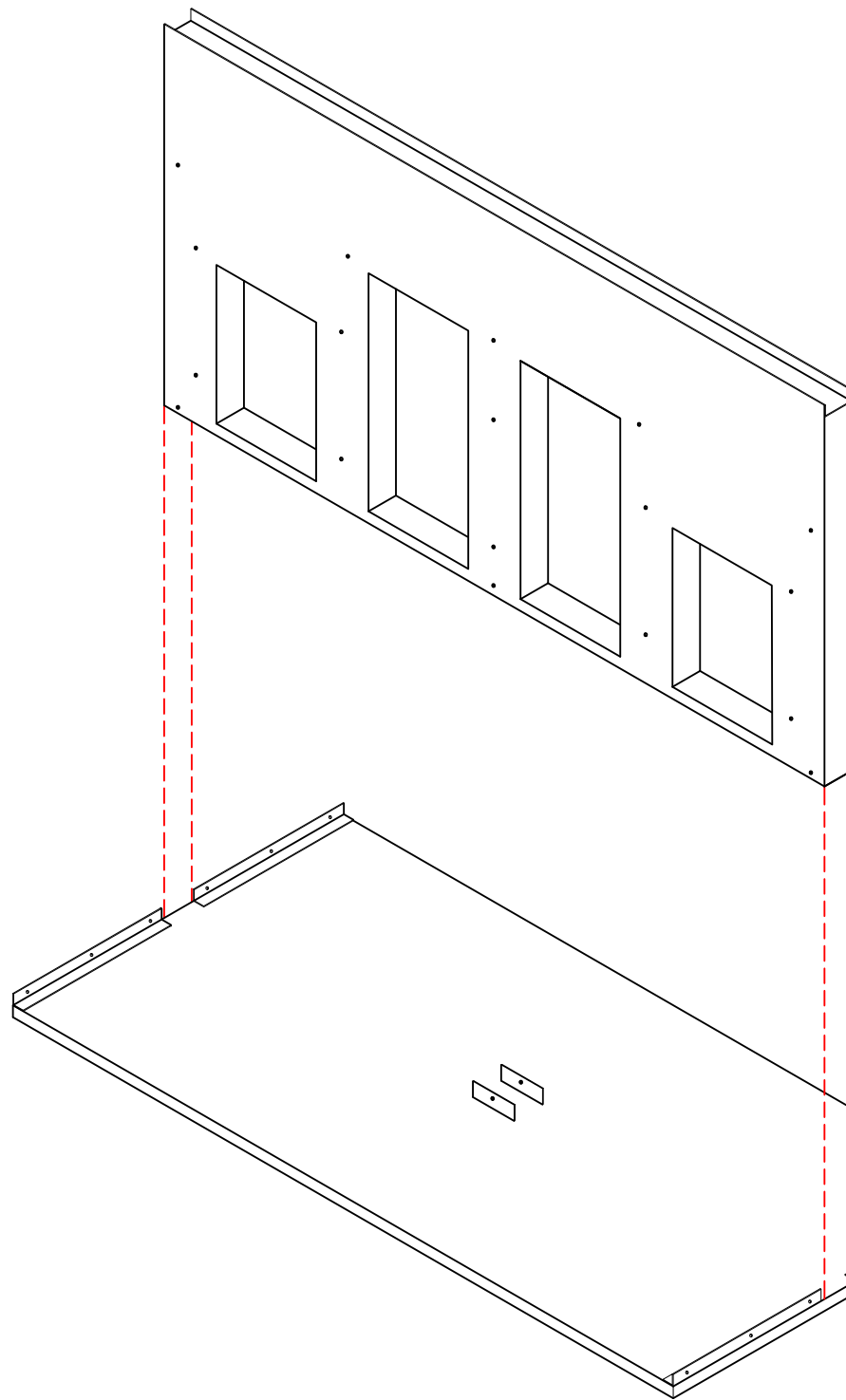
CONNECT THE WALL STRUCTURE
TO THE BASE PLATFORM

USING THE BELOW LISTED HARDWARE

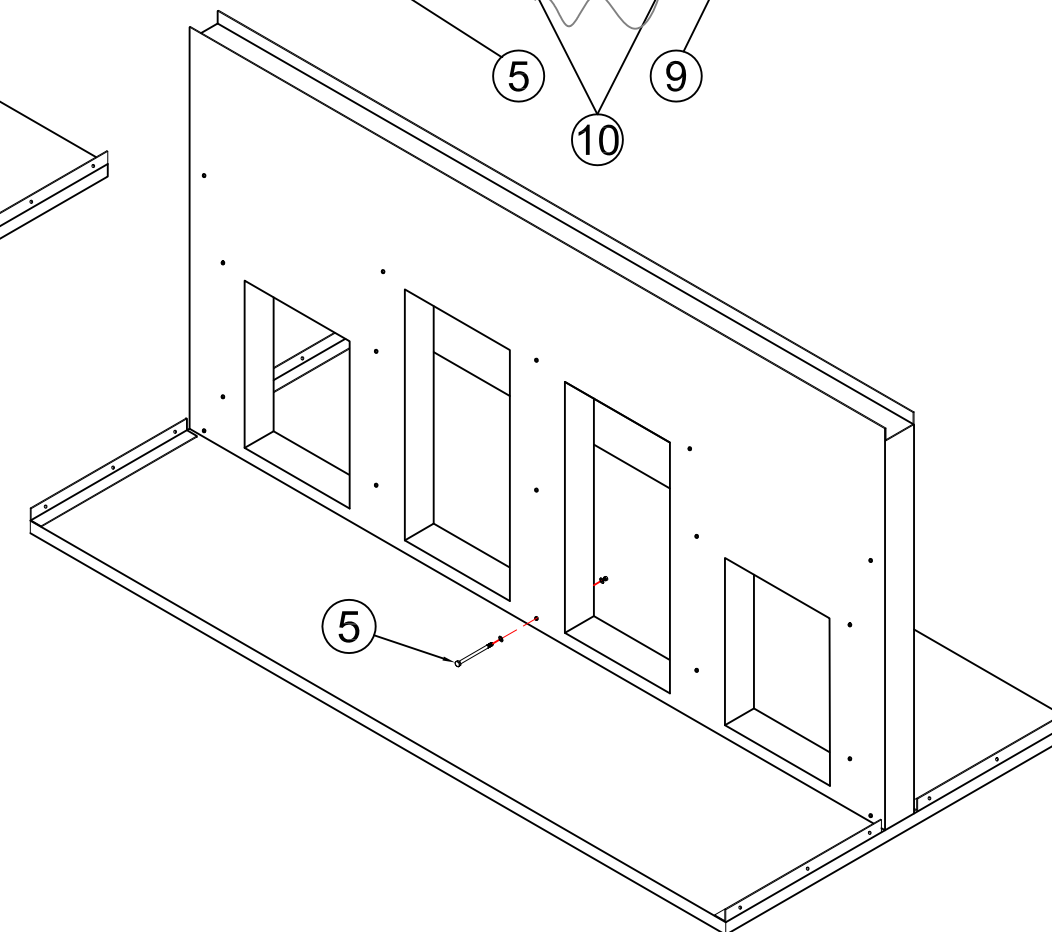
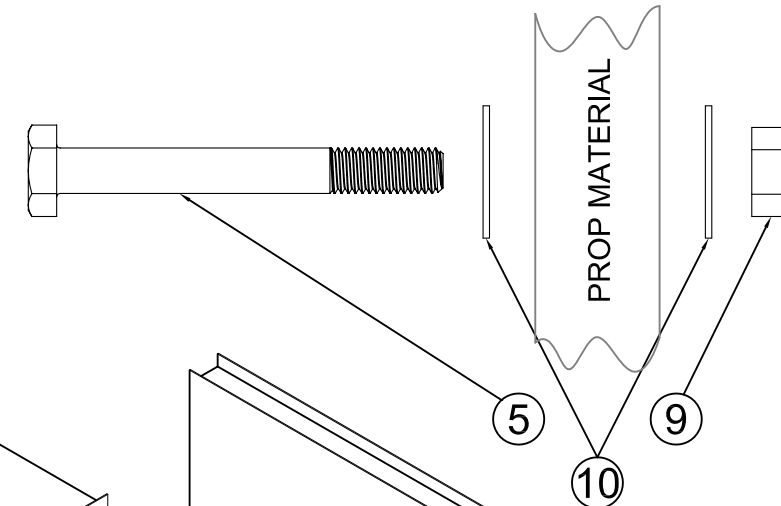
ITEM #	QTY	DESCRIPTION
5	1	4" x 3/8" x 16 HEX BOLT
9	1	3/8" x 16 HEX NUT
10	2	3/8" x 7/8" FLAT WASHER

NOTE: ITEM #5 WILL NEED TO BE REMOVED IN STEP 3.
SAME BOLT IS USED TO SECURE CENTER
DRYWALL BRACKET.

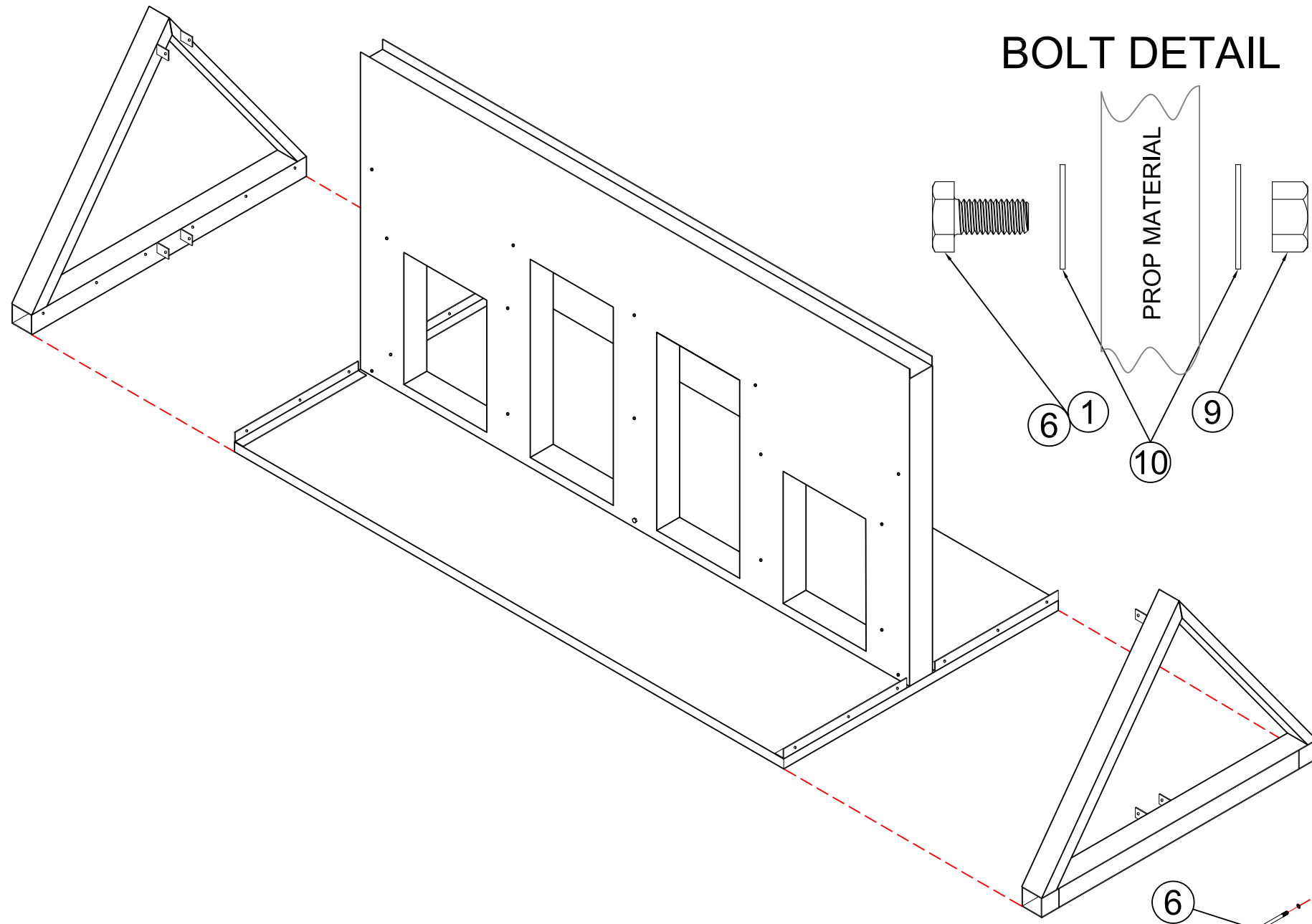
22 MAR 2012



BOLT DETAIL



Low Reduced Prop Model Set
IAFF FGS PROP MATERIALS, DESIGN AND
BUILDING INSTRUCTIONS



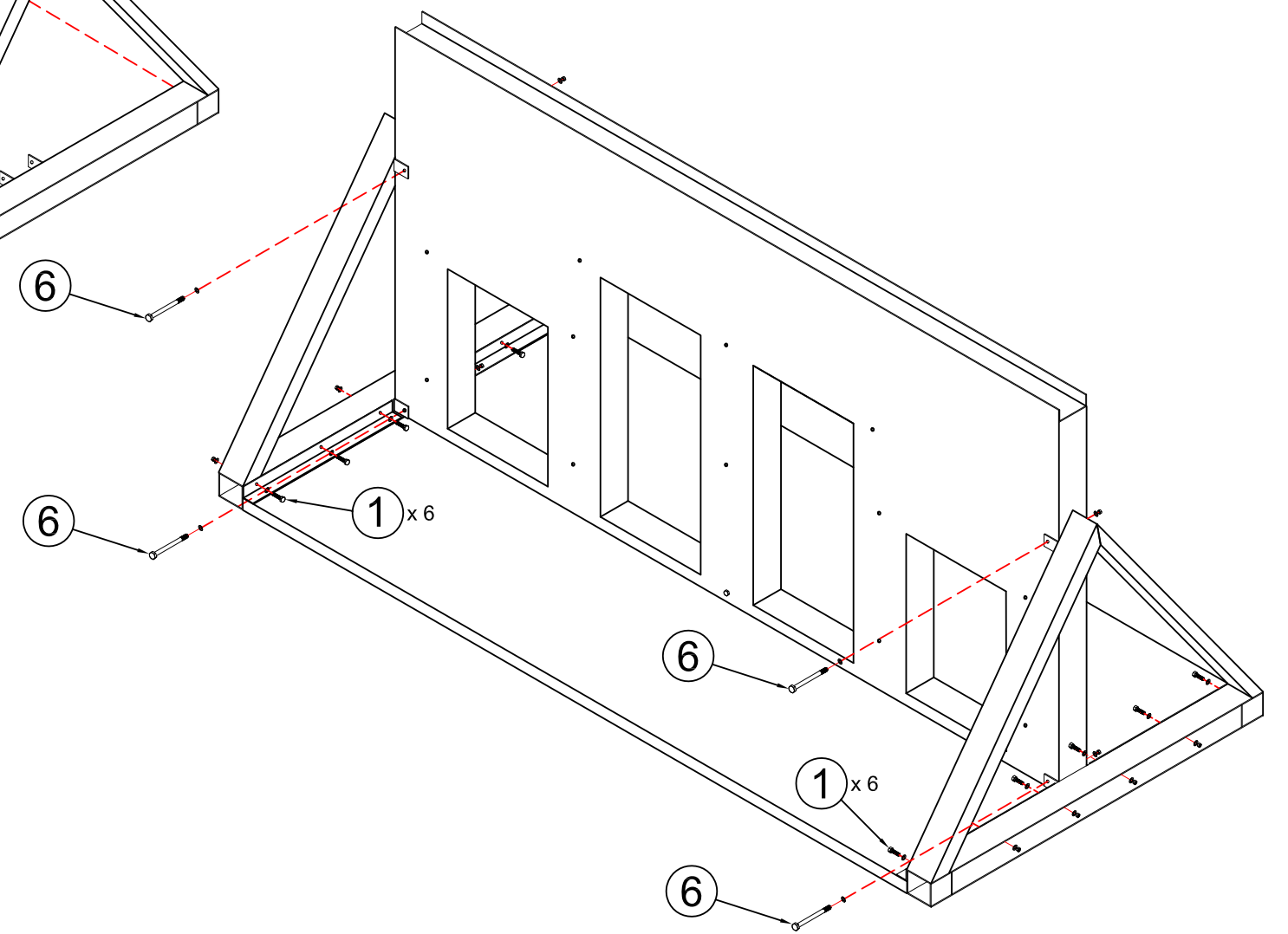
LOW / REDUCED PROFILE PROP

STEP 2

CONNECT THE END "A" FRAMES
TO THE BASE PLATFORM AND WALL
USING THE BELOW LISTED HARDWARE

ITEM #	QTY	DESCRIPTION
6	4	4-1/2" x 3/8" x 16 HEX BOLT
1	12	1" x 3/8" x 16 HEX BOLT (base to triangle)
9	16	3/8" x 16 HEX NUT
10	32	3/8" x 7/8" FLAT WASHER

22 MAR 2012



Low Reduced Prop Model Set
IAFF FGS PROP MATERIALS, DESIGN AND
BUILDING INSTRUCTIONS



Low Reduced Prop Model Set

IAFF FGS PROP MATERIALS, DESIGN AND BUILDING INSTRUCTIONS

LOW/ REDUCED PROFILE PROP

STEP 3

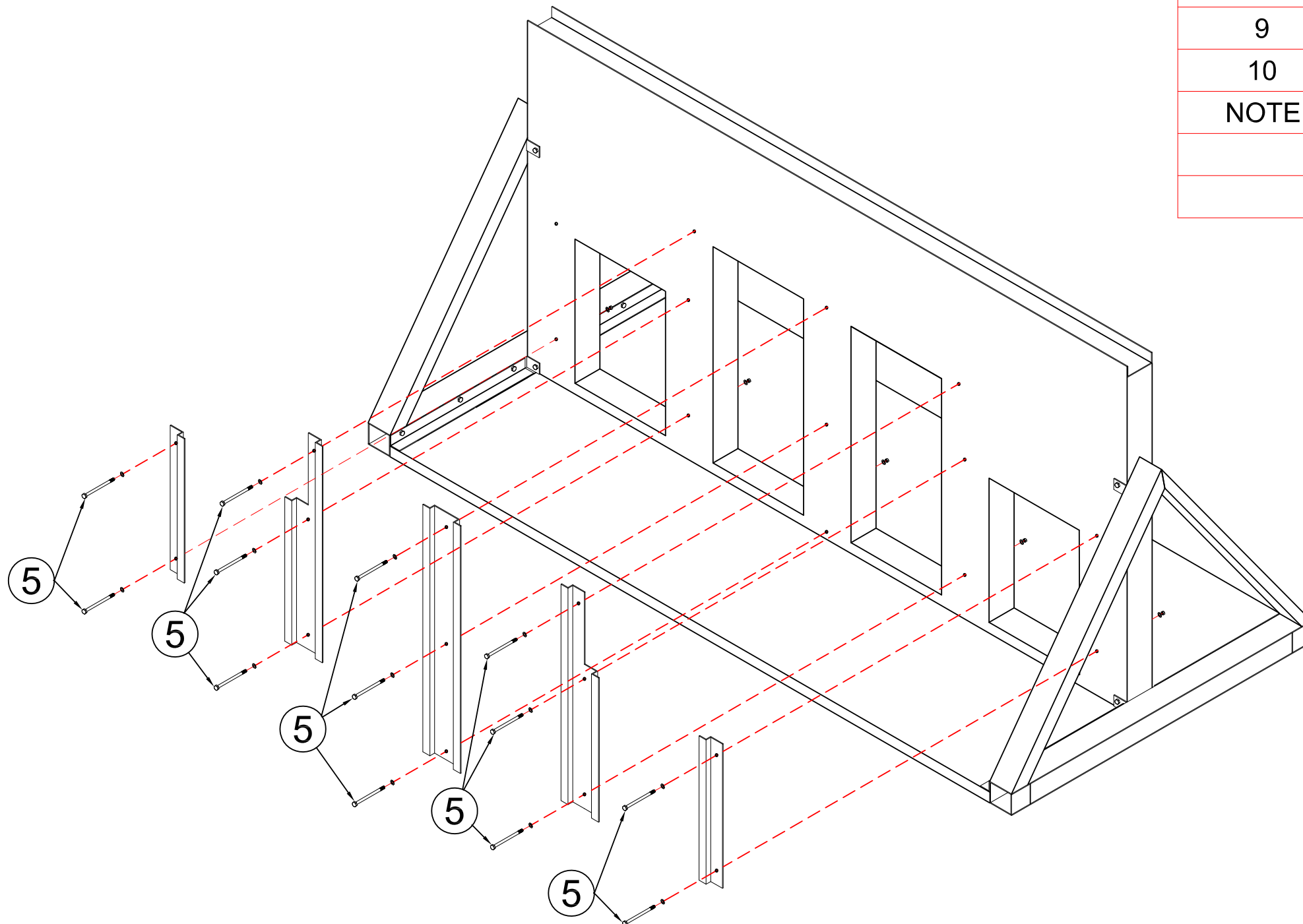
CONNECT THE DRYWALL BRACKETS

TO THE WALL

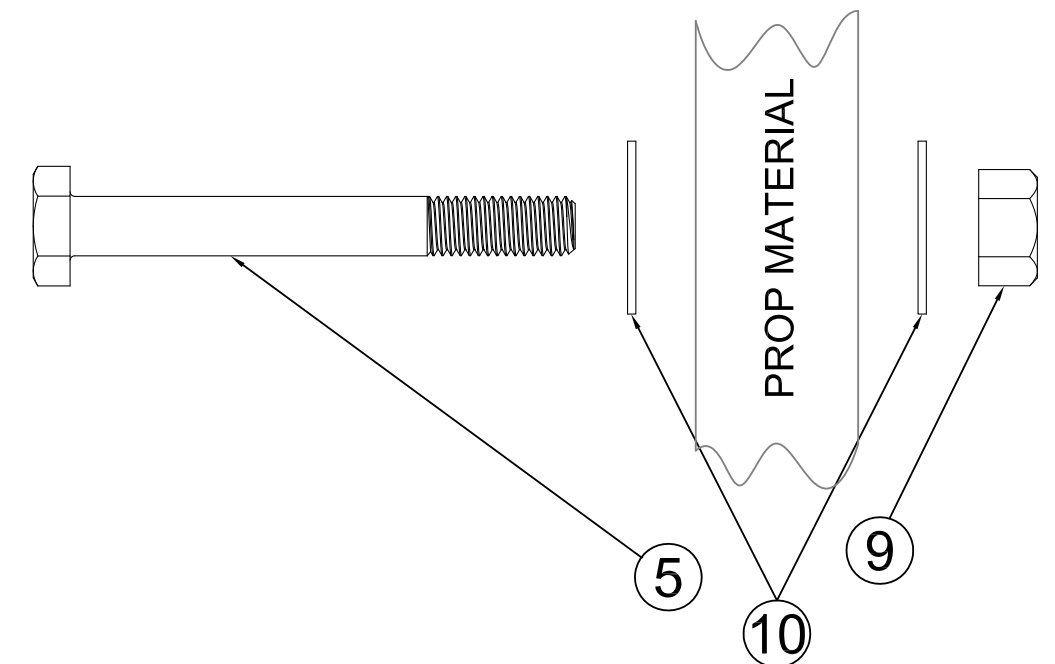
USING THE BELOW LISTED HARDWARE

ITEM #	QTY	DESCRIPTION
5	13	4" x 3/8" x 16 HEX BOLT
9	13	3/8" x 16 HEX NUT
10	26	3/8" x 7/8" FLAT WASHER
NOTE:	REMOVE BOTTOM CENTER BOLT USED IN STEP 1. THIS BOLT WILL BE USED TO SECURE THE CENTER DRYWALL BRACKET	

22 MAR 2012



BOLT DETAIL



Technical Training Props, Inc.

For ordering estimates, or inquiries, please email us at:
info@technicaltrainingprops.com



Low Reduced Prop Model Set

IAFF FGS PROP MATERIALS, DESIGN AND
BUILDING INSTRUCTIONS
