



SearchMaze

Setup Instructions

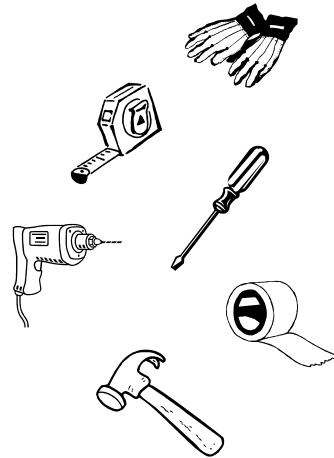
User's Guide



List of Parts

Items Needed For Set Up

- Gloves
- 2 Salvage Covers
- Tape Measure
- Screw Driver (Flathead)
- Drill
- Hammer
- Marker
- Duct Tape
- 2" x 4" x 20" Wood Block
- 3 – 4 People



Misc. Items

- (2) "Z" Metals (Section 1 – 2 and 2 – 3)
(To keep out light)
- (3) Hatch Handles
- (3) Hatch Covers
- (22) Nuts/Bolts (Top rial to corners, entry/exit, drop ceiling)
- (12) 3/4" x 1/2" (Strips of wood for hatch covers)
- (10) 4' x 6' x 1/2" Rubber Matts

Full Panels

Qty.	Description	
28	36" Walls	
11	51 1/2" Roof	
3	51 1/2" Roof w/ Hatch	
4	47" Slope/Drop Ceiling (2 w/ Angle cuts for slope to roof)	

Partial Panels

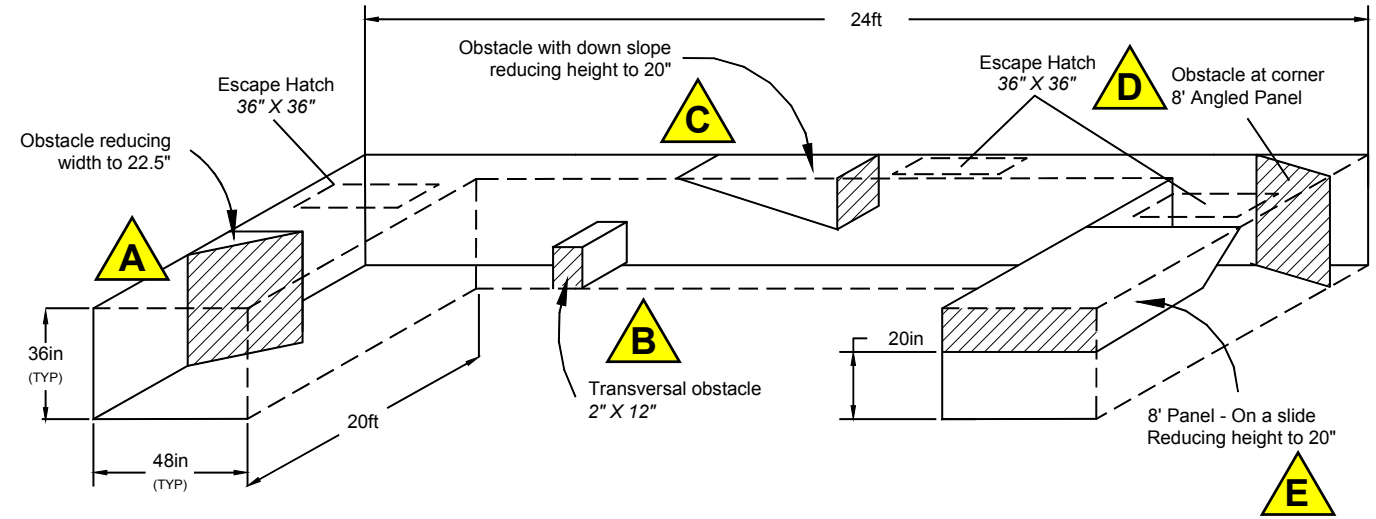
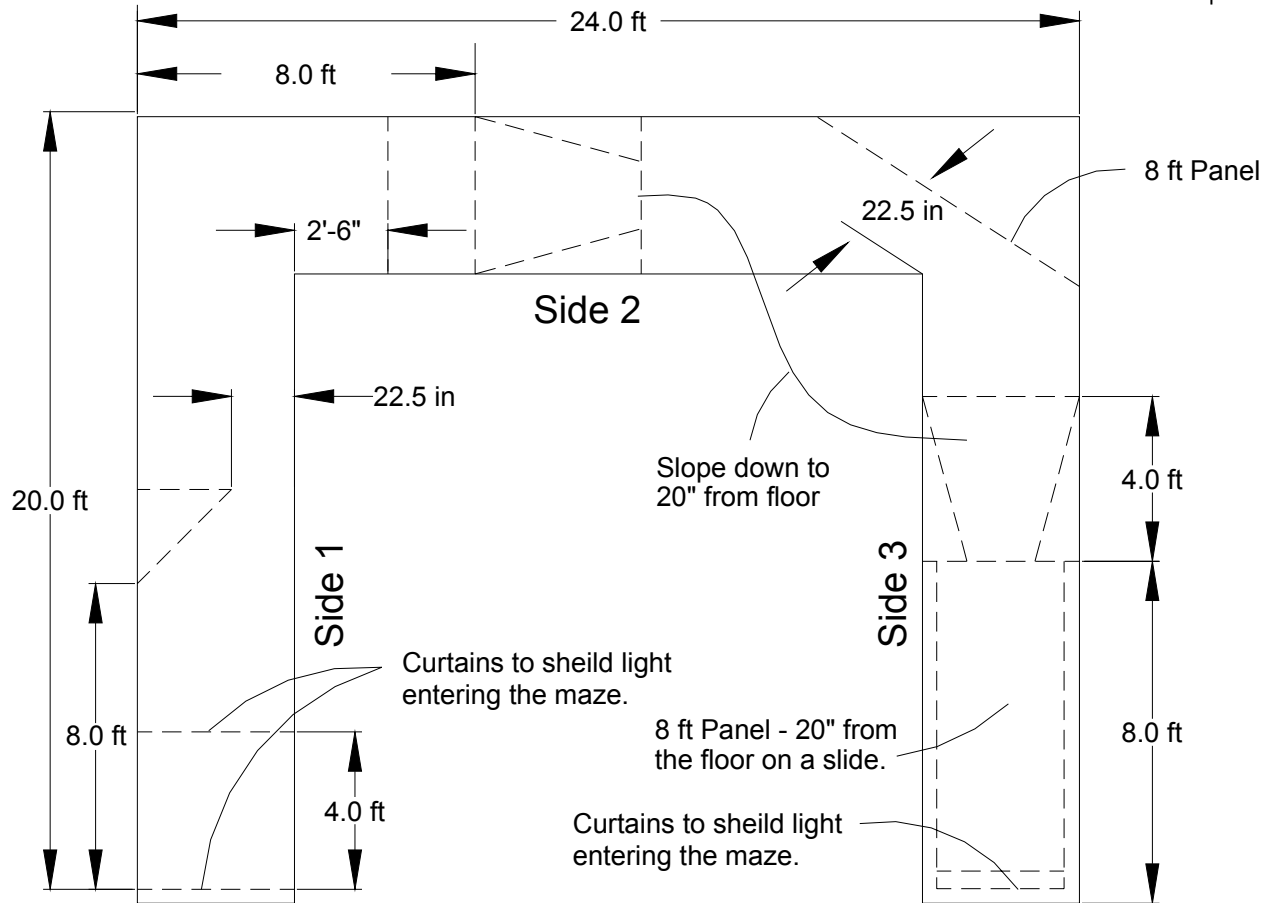
Qty.	Description	
2	36" x 13" Male Only (Wall 1 and Wall 2 Corners, OCL & OCR)	
1	36" x 13 5/8" Female (Wall 2 – 3 Corner, OCR)	
1	36" x 8 1/4" Female (Wall 5 – 6 Corner, ICR)	
2	36" x 5 3/4" Male (Wall 4 and Wall 6 Corners, ICL & ICR)	
2	51 1/2" x 7 1/2" Male (Roof Starters, section 1 & 3)	
1	51 1/2" x 18 3/4" Female (Roof Starter, section 2)	
1	93" x 35" Female (8' Corner Wall)	
1	47" x 12" w/ Cap (1' Wall)	
1	47" x 12" (Slope return)	
1	47" x 5" Male (8' Drop Ceiling)	

Aluminum

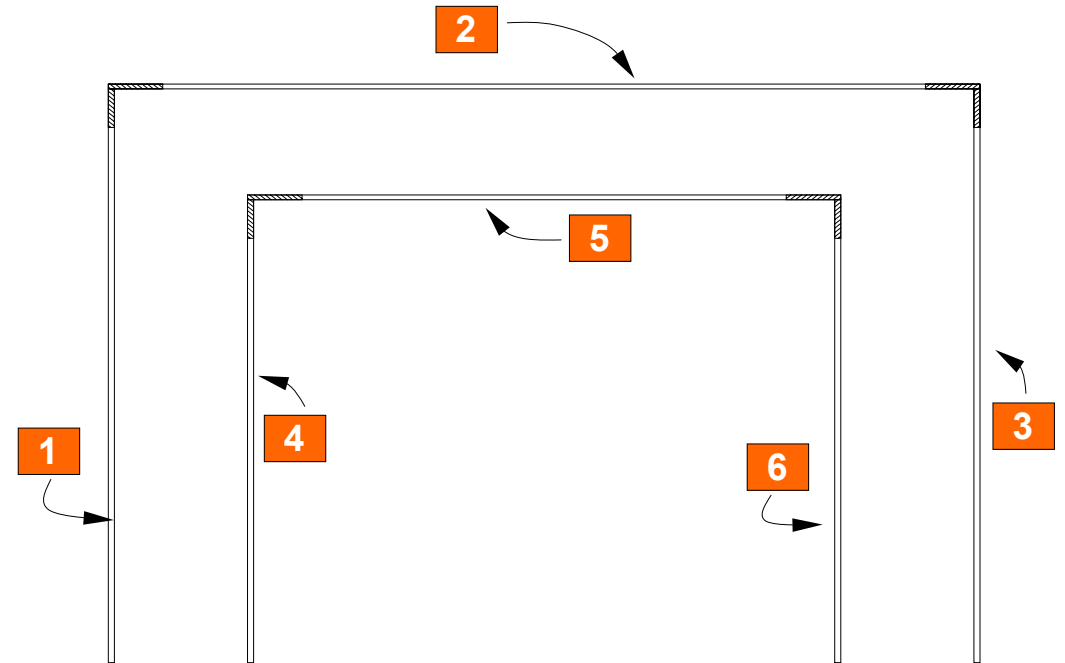
Qty.	Description	
1	Wall 1 Top & Bottom	
1	Wall 2 Top & Bottom	
1	Wall 3 Top & Bottom	
1	Wall 4 Top & Bottom	
1	Wall 5 Top & Bottom	
1	Wall 6 Top & Bottom	
4	Corners <ul style="list-style-type: none"> → OCL (Outside Corner Left) → OCR (Outside Corner Right) → ICL (Inside Corner Left) → ICR (Inside CornerRight) 	
2	Entry/Exit Frames	
1	Inside Curtain – IC	
1	Top & Bottom (1 st Obstacle – 45° 4' Wall)	
1	Wall 2 & 5 (2 nd Obstacle 1' Wall)	
1	Wall 2 & 5 (3 rd Obstacle Sloping Ceiling)	
1	Top & Bottom (4 th Obstacle, 8' Corner Wall)	
1	Wall 3 & 6 (5 th Obstacle Sloping Ceiling)	
1	Wall 3 & 6 (Slope/Drop Ceiling Rail Bracket)	
1	Wall 3 & 6 (8' Drop Ceiling Rails)	
1	Wall 3 & 6 (8' Drop Ceiling End Rail Bracket)	

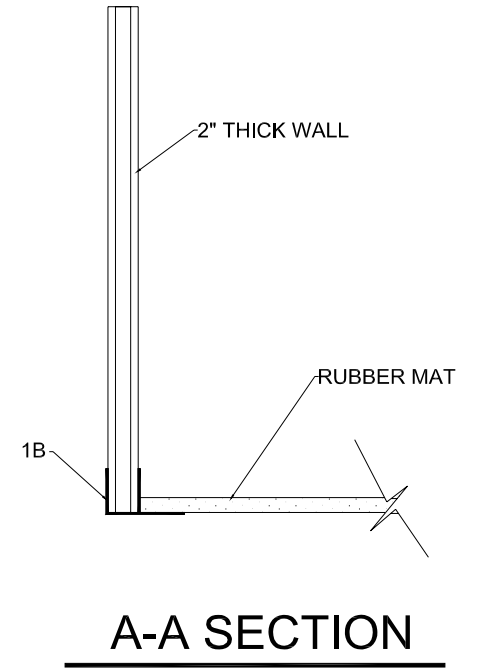
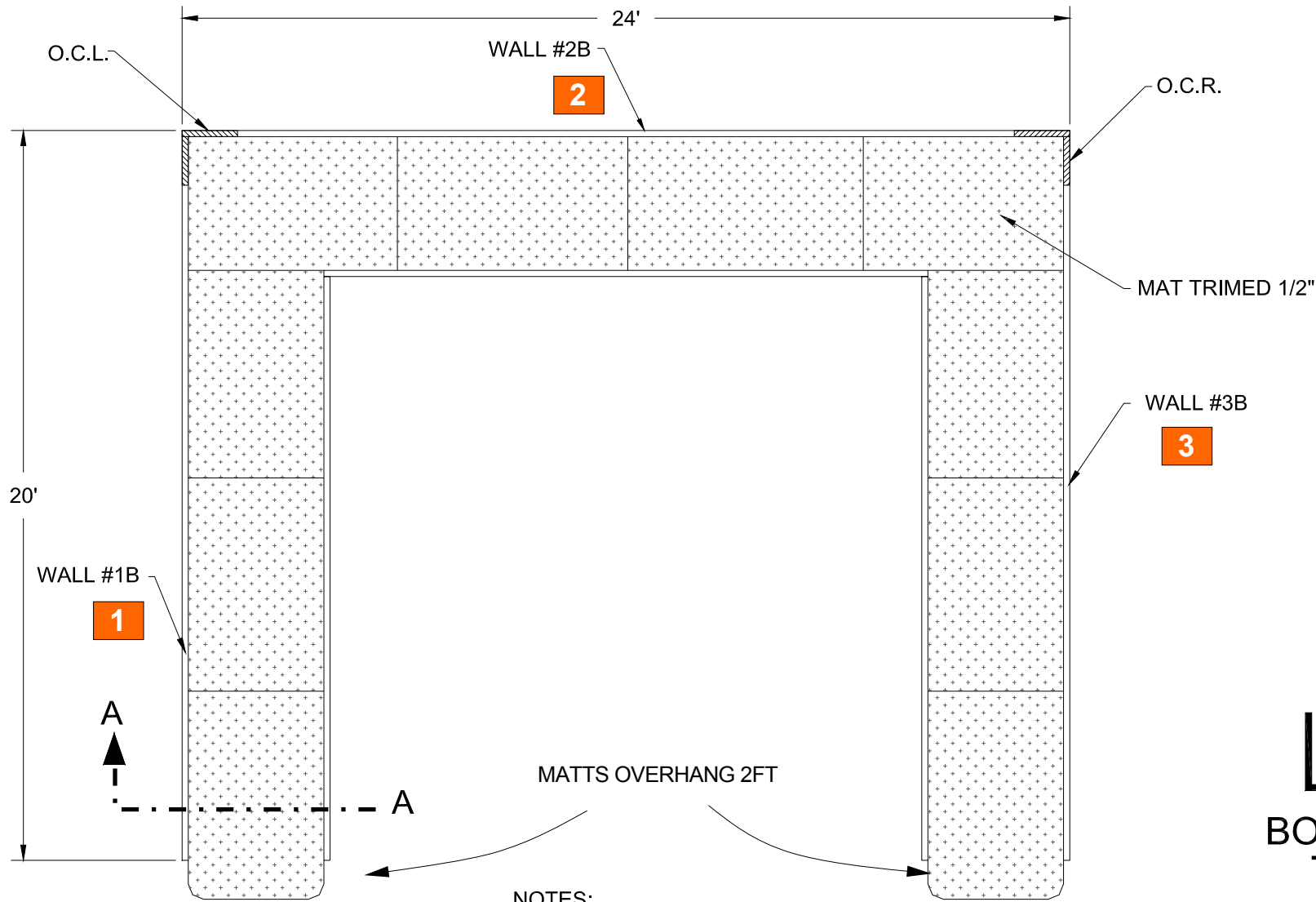


CPAT & Layout Specifications

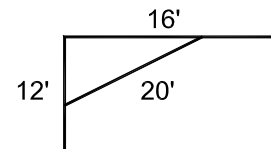


Wall and Obstacle legend

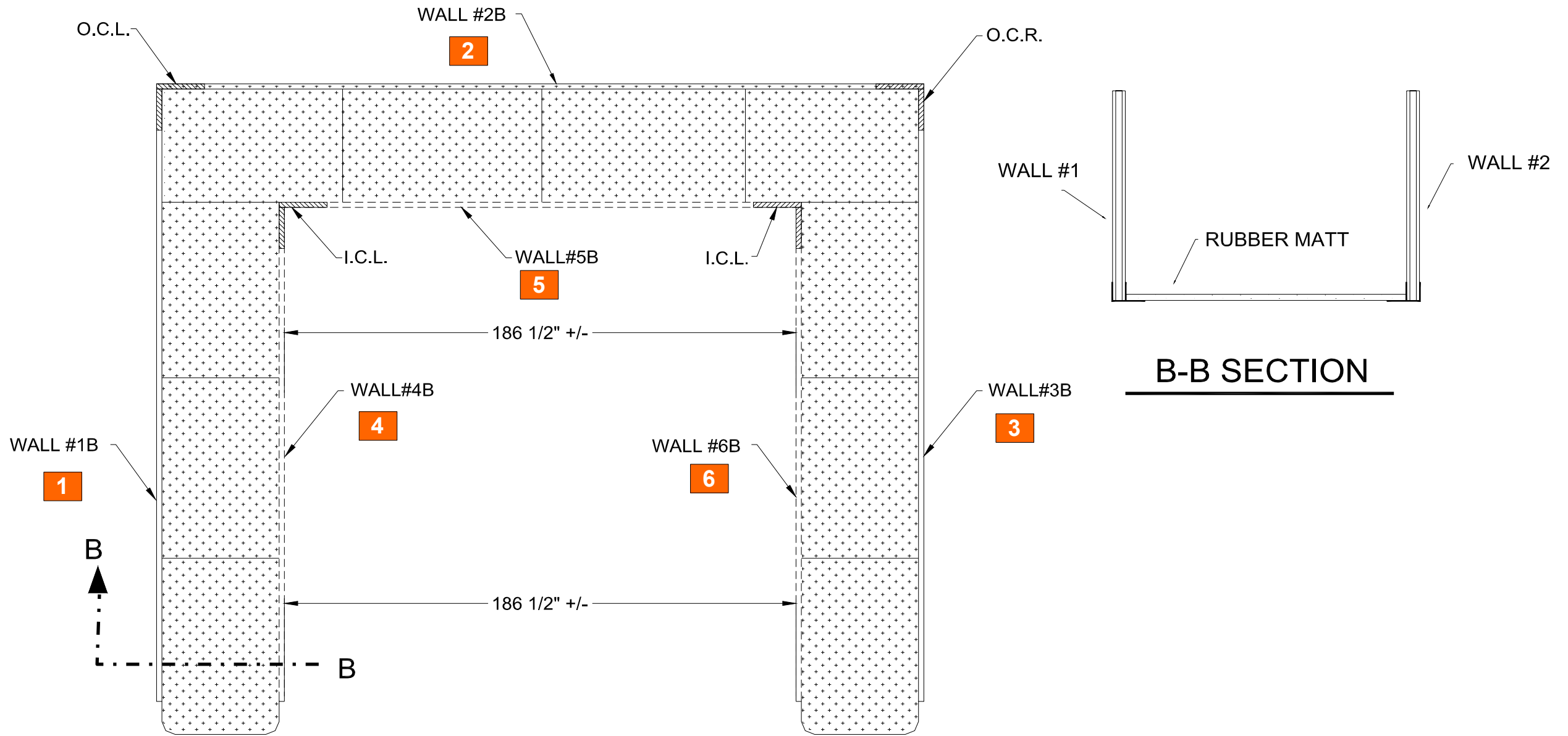




- NOTES:**
- *CHECK FOR SQUARE
 - 3', 4', 5'
 - 6', 8', 10'
 - 12', 16' 20' *BEST
 - *PLACE MATTS ALONG WALL 2

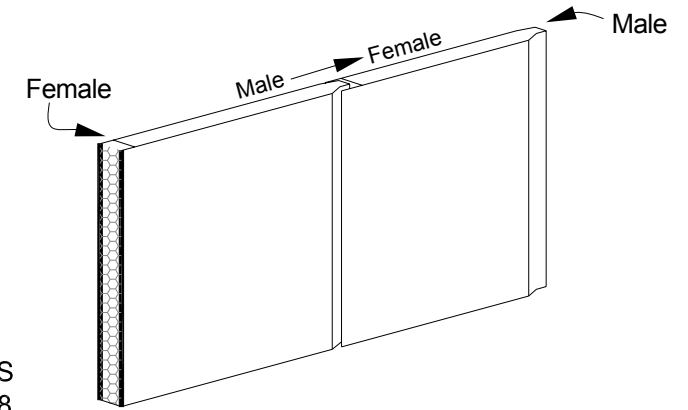
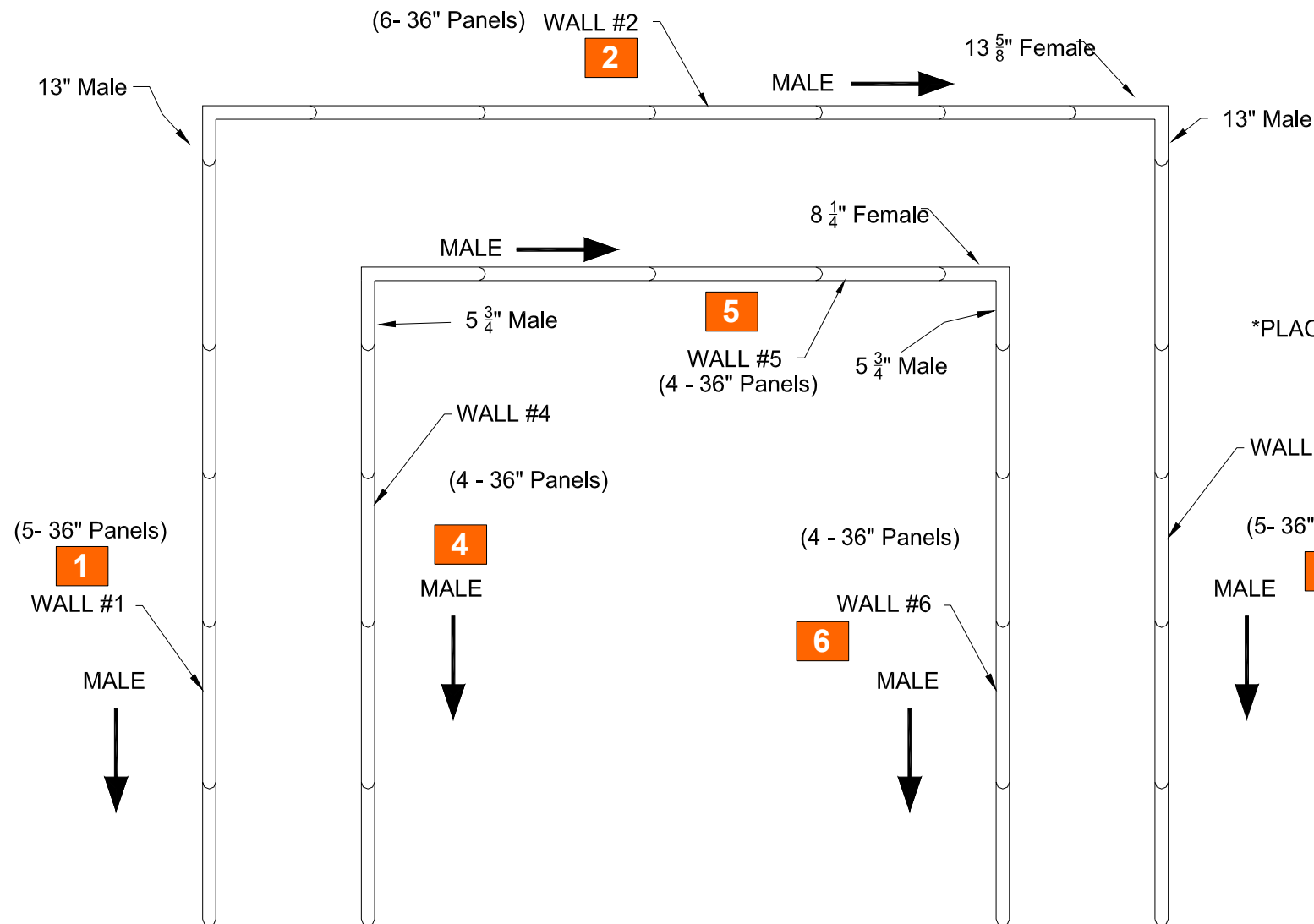


 RUBBER MATTS



NOTES:

* HAVE PEOPLE AT BOTH ENDS TO ENGAGE MALE → FEMALE FULLY.

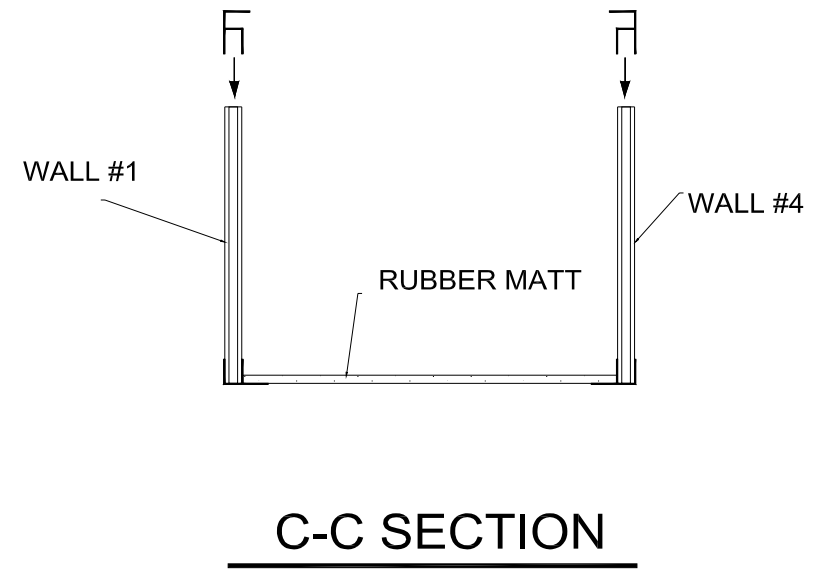
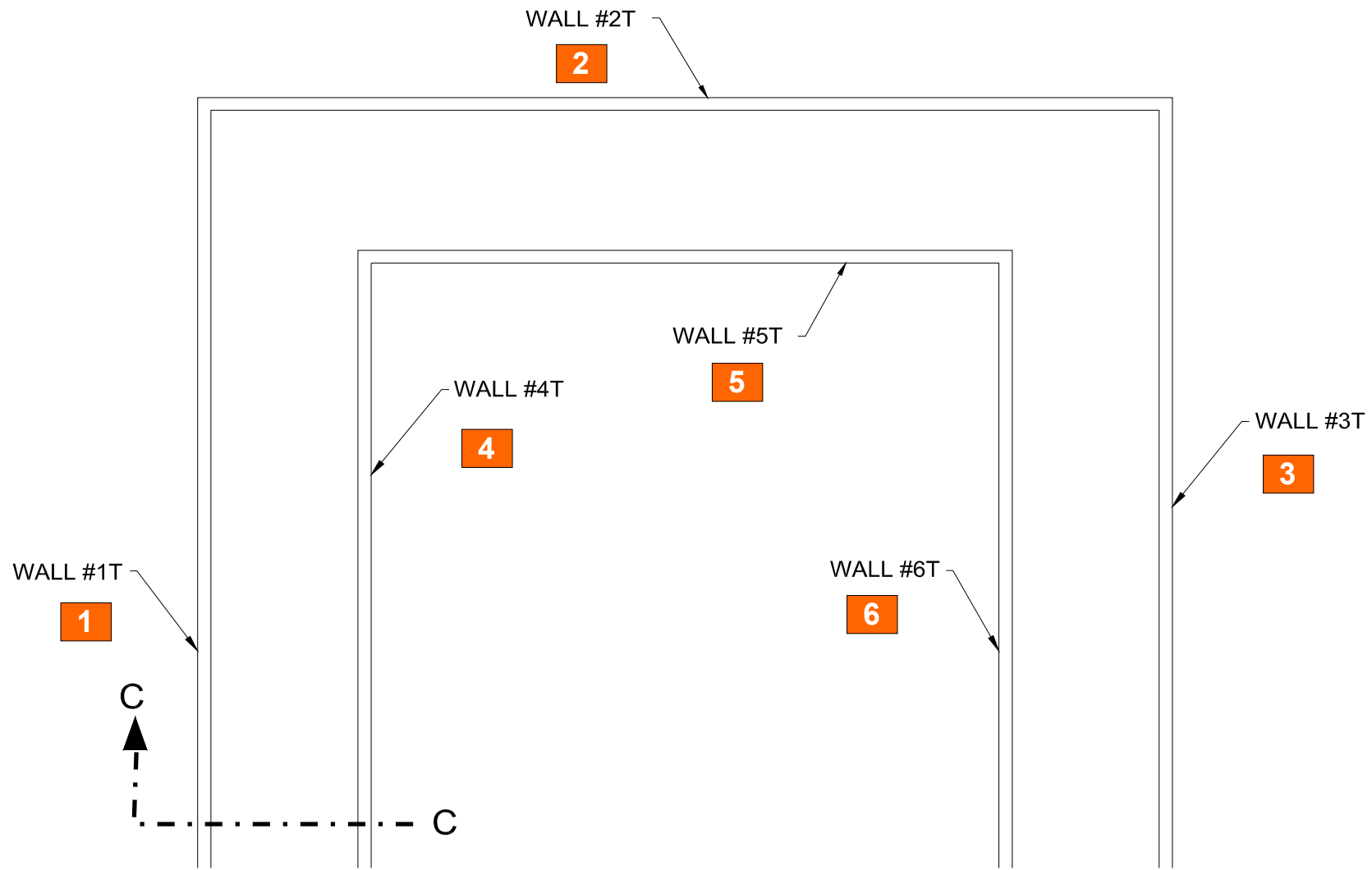


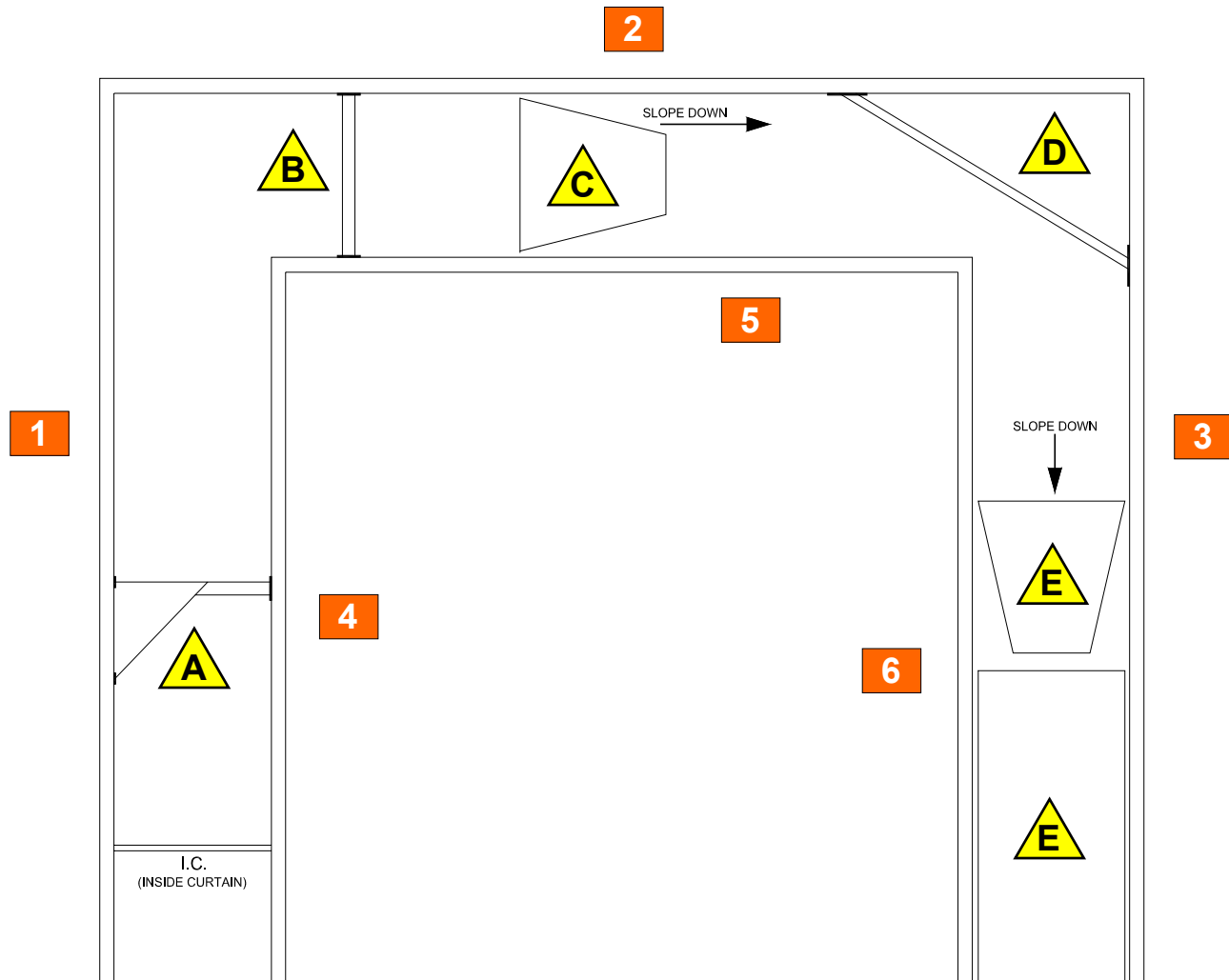
*PLACE 3' WALLS
TOTAL = 28

* PARTIAL WALLS AT 36" = 6
(SHIPPED IN CORNERS IN PROPER LOCATION)

* WALL

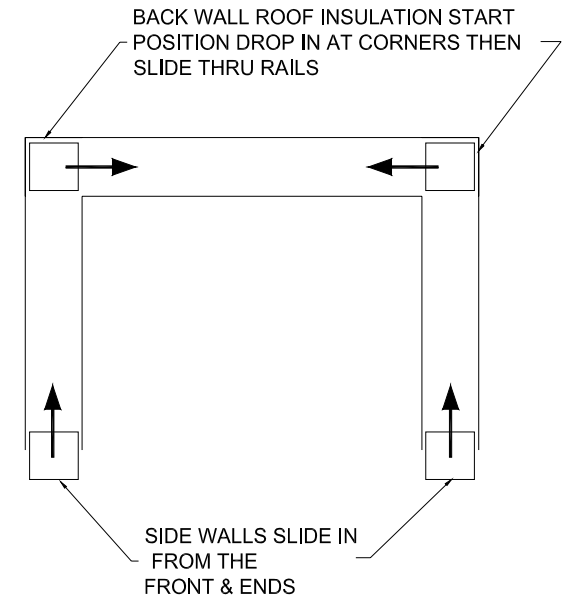
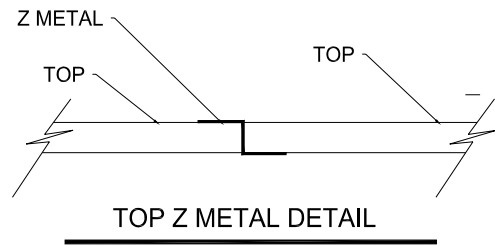
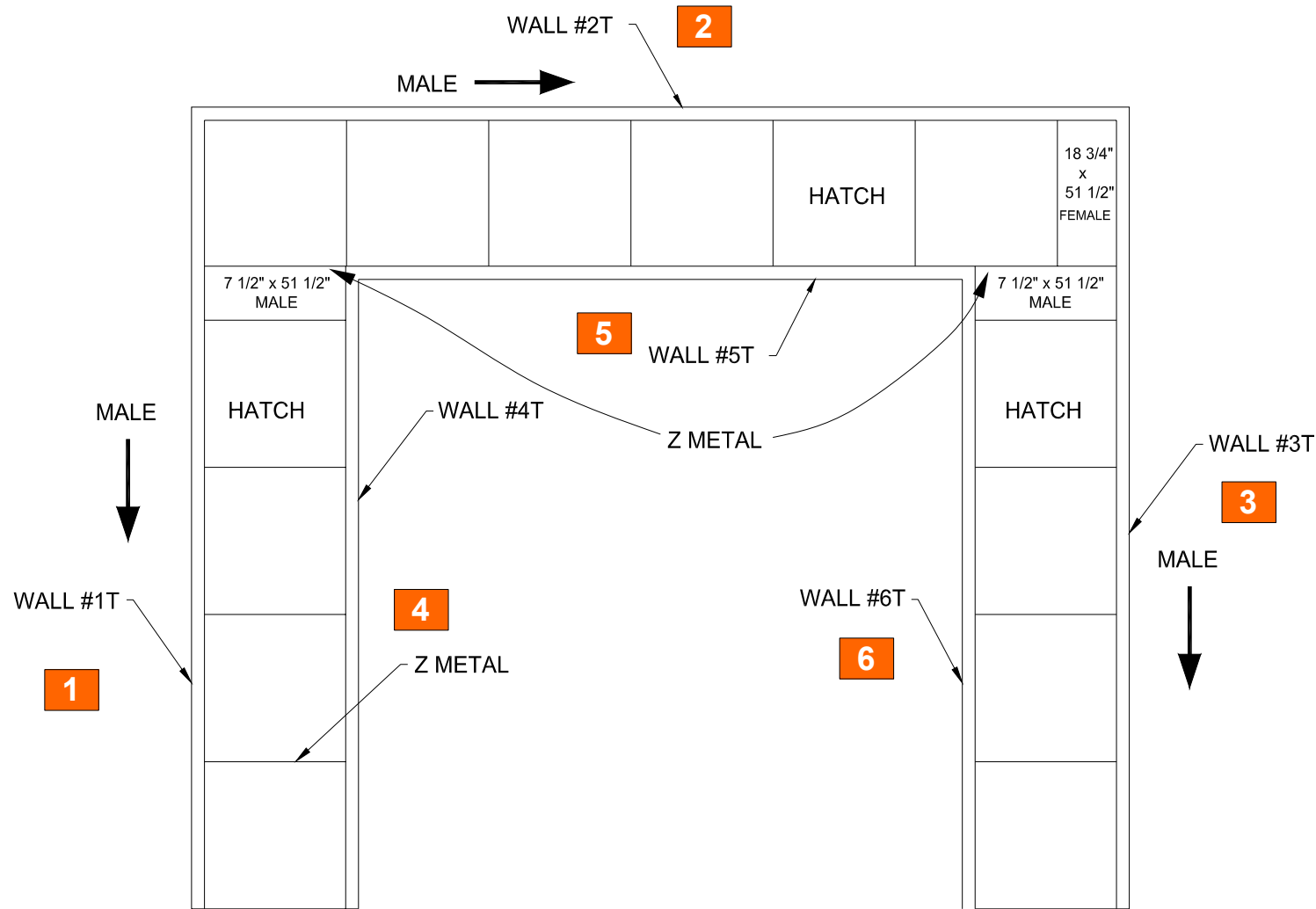
- 1. CORNER 13" MALE 1
- 2. -3 CORNER 2
- 3. CORNER 13" MALE 3
- 4. CORNER 5 3/4" MALE 4
- 5. -6 CORNER 8 1/4" FEMALE 5
- 6. CORNER 5 3/4" MALE 6

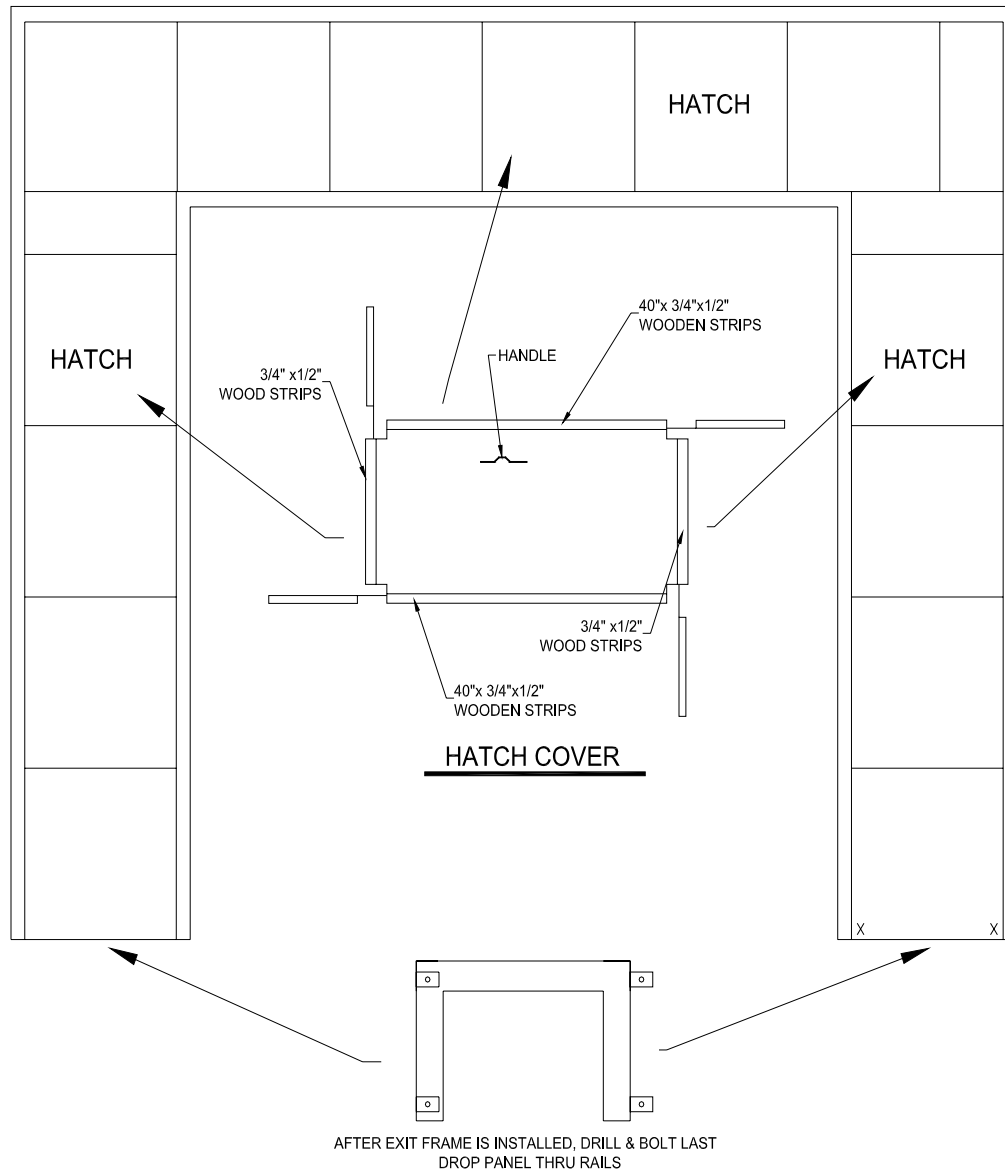




NOTES:

- A** T & B (TOP & BOTTOM METAL
1 PANEL 47 1/4x35
1 PANEL 23 1/4x35
 - B** WALL 2 & 5 METAL
1' WALL PANEL W/METAL CAP x 47"
 - C** WALL 2 & 5 METAL
1 PANEL FULL x47 1/2"
 - D** T & B METAL (FLANGE TOWARDS CORNER)
1-93" PANEL CUT SIDE
 - E** WALL 3 & 6 METAL (8 PIECES)
1 FULL PANEL x 47 1/2" W/L CUT - SLOPE
1-5" x 47 1/2"-8' DROP
2-FULL PANEL x 47 1/2" 8' DROP
- METAL - WALL 3 TO WALL 6 SLOPE
- WALL 3 TO WALL 6 SLOPE / DROP
- WALL 3 TO WALL 6 END
- DROP RAIL WALL 3 TO WALL 6
- FLANGE
-





NOTES:

*PREDRILL & MOUNT HANDLES THRU MATERIAL & COVER.

* MAKE SURE COVER IS LOCATED OVER ENTIRE HATCH EQUALLY BEFORE MOUNTING HANDLE.

OPTIONAL

DRILL & BOLT IF NESCESSARY
 I.E. LIGHT COMING THROUTH
 OR
 PROLONG / PERMANENT SETUP